

alkitronic® X H-SERIES



H-AX

Hydraulic
Torque Wrench

Applications

- Hydraulic torque wrench with two hydraulic hose system for tightening or loosening heavy bolt connections.
- **alkitronic® H-AX** convertible type torque wrench up to 35,650 ft.lbs (49,000 Nm).
- Drive element with interchangeable hexagon link from 14 to 145 mm.

Advantages

- **Simple handling** and low weight.
- **Economic construction** with few single components.
- **High efficiency** with minimum maintenance requirements and low costs.
- **Hard-wearing, ergonomically shaped housing design**, made of high-density aluminium alloy.
- **Highly flexible** due to simple, fast changing of the hexagon links.
- **Trouble-free support** without affecting the torque accuracy by lateral force.

alkitronic® specials

- **Convenient, secure and reliable** individually pivoting joint couplings (360°). Capable of withstanding up to 4x higher maximum operating pressure.
- **Robust ratchet with fine teeth** for high torque accuracy and a max. stroke of 28°.
- **Constructive precise** guided drive element.
- **alkitronic® H-AX** developed for applications in restricted space and difficult to access areas: **Drive element and hexagon link** in line, **extremely flat** and flush design.



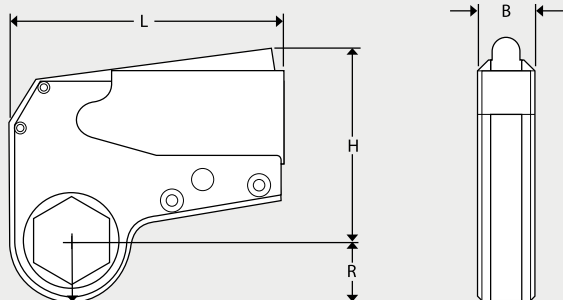
Technical Data

Type		H-AX 1	H-AX 2	H-AX 4	H-AX 8	H-AX 16	H-AX 32 ***
Torque range (approx.)*	Nm	60-770	260-2600	540-5400	1150-11900	2150-22900	4450-49000
	ft.lbs	45-560	192-1928	395-3950	830-8630	1560-16600	3220-35650
Hexagon	AF ** mm	14-32	27-55	36-70	55-95	80-115	95-145
Radius (approx.) from-to	R mm	19-25	26-42	34-52	46-79	63-87	82-109
Width	B mm	24	38	47	58	70	92
Length	L mm	111	167	203	253	330	390
Height	H mm	83	103	144	180	194	278
Weight (approx.)	kg	0.5	1.6	3.5	6.6	13	18

*) When loosening a bolted connection, up to 20% higher torque may be required (loosening torque). We will gladly advise you in detail.
Ask us about: **) other AF sizes ***) models with larger torque range.

Important for the exact reproducibility of the specified torque is a pressure of max. 700 bar. Repeatability $\pm 3\%$. For a fast, safe and reliable operation of the hydraulic torque wrenches we recommend our **alkitronic® NOVA** or **alkitronic® VELOX** hydraulic pumps (700 bar pressure, can be used worldwide in all mains grids 100-253 V / 45-66 Hz).

Model **alkitronic® H-AX**



alkitronic® H-AX, when fitting a flange in plant construction.

alkitronic®
HOME OF TORQUE POWER

alkitronic® products
Made in Germany by

alki TECHNIK GmbH
Development, Production and
Distribution of Bolting Systems

Unterlettenweg 4
85051 Ingolstadt
Germany

fon +49 841 97499-0
fax +49 841 97499-90

info@alkitronic.com
www.alkitronic.com